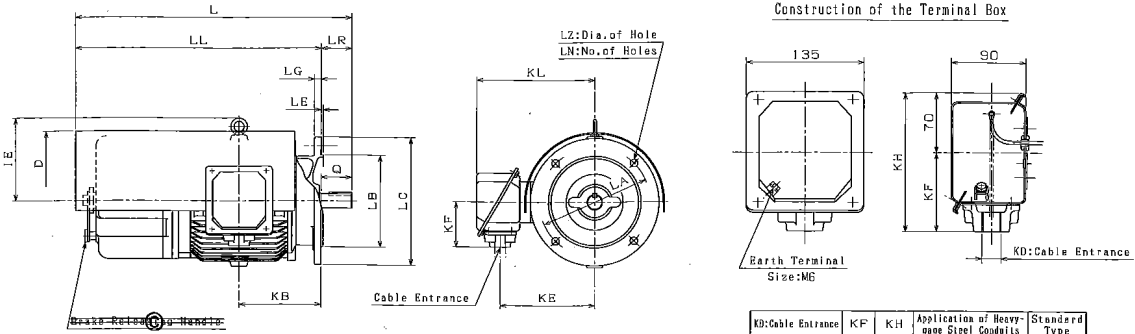


改版番号 REV. No. 2
 変更者 REVISER K. Nakamura
 承認者 APPROVED H. Shigeeda
 変更日付 REV. DATE Jan. 11, 2011
 承認 APPROVED H. Shigeeda
 内容 REMARKS

DWG. NO. QE34101

Construction of the Terminal Box



KD:Cable Entrance	KF	KH	Application of Heavy-gauge Steel Conduits	Standard Type
PF $\frac{1}{2}$	90	160	16	
PF $\frac{3}{4}$	90	160	22	①
PF1	90	160	28	
PF1 $\frac{1}{4}$	90	160	36	

- Note) 1. The tolerances of key and keyway are in accordance with JIS B 1301-1976.
 2. Terminal Box can be turned to one of four position, 90° degree apart to provide easy entrance of the power leads.
 3. Rotating Direction (Facing drive end)
 M Counter clockwise (standard)
 □ Clockwise □ Reversible

Dimensions in mm									
L	LA	LB	LC	LE	LG	LL	LN	LZ	LR
540	215	180 ± 0.014	250	4	16	480	4	14.5	60

Dimensions in mm					Dim. of Shaft Extension in mm						
D	IE	KB	KE	KL	Q	QK	QR	S	T	U	W
275	170	160	191	240	60	45	1	28 ± 0.004	7	4	8

Bearing No.		Approx. Mass
Drive End	6306ZZ03	73 kg
Opp. Drive End	6305ZZ03	

① With oil seal.
 Amb. Temp: 45°C
 Breaking Torque: 80%
 ② The terminal box is on the right hand side viewed from Driving end.

Messrs. _____
 Estimate No. _____
 Order No. 822542
 Item No. 1
 Application _____

RATINGS

Type	Output kW	Time Rating	Poles	Voltage V	Frequency Hz	Thrn. Class	Frame No.
EELBU-50U	2.2	SPECIAL	6	400/440	50/60	F	EELB-5-112MJ

REV. 1	108220	K. ITO	Chng. Pos. of Term. Box, etc.	DATE	BY	APPR.	SCALE 1/6	Nidec 日本電産モーター株式会社 NIDEC POWER MOTOR CORPORATION	DRAW. 08.01.21 K. Koga	CHECK	08.01.22 K. ITO	APPR.	Dimensions of Three-Phase Induction Motor	DWG. NO. QE34101	REV. A
--------	--------	--------	-------------------------------	------	----	-------	-----------	--	------------------------	-------	-----------------	-------	---	------------------	--------

Messrs _____
 Estimate No. _____
 Order No. - Item No. 822542-1
 Application _____

Nidec
 PRESENTATION STAMP
 DEC. 20, 2008
 NIDEC POWER MOTOR CORP.

Boss and key-pull out stopper, bolt (Type non)

No. of threaded hole: 1
 Size of threaded hole: d
 Depth of threaded hole: L
 (see Table 1)

No. of threaded hole: 2
 Size of threaded hole: d
 Depth of threaded hole: L
 (see Table 2)

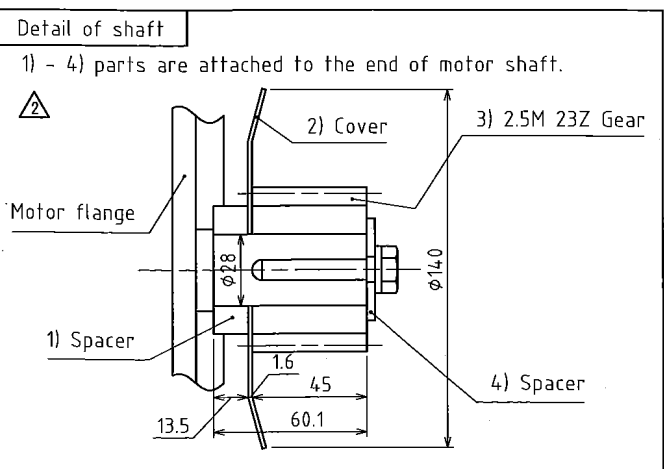
No.	d	L	direction of screw
1	M8	20	right-handed
2	M8	15	left-handed
3	M8	22	right-handed
4	M6	15	left-handed
5	M20	50	right-handed
6	M8	25	left-handed
7	M8	18	right-handed
8	M6	13	left-handed
9			right-handed
			left-handed

No.	d	L	H	direction of screw
11	M12	27	30	right-handed
12	M10	17	40	left-handed
13	M10	24	26	right-handed
14	M8	12	25	left-handed
15	M12	29	36	right-handed
16				left-handed
17				right-handed
18				left-handed
19				right-handed
				left-handed

Note) 1. Standards of screw-JIS B0205 (1982) - (Metric coarse screw threads).
 2. For detail dimension of shaft extension, refer to dimension diagram of motor proper.

REV. NO.	DESCRIPTION	DATE	BY	APPR.	TITLE
1	Add No. 13, 14, 15.	96-08-09	K. Hino	H. Shigeeda	Dimension of shaft extension threaded holes

REV. 1	96-04-11	T. Sano	DWG. NO.	REV. A
2	96-04-15	K. Mikuniya	PE9408279	
3	96-04-16	N. Takai		



Name of product	Operation Motor
Type	EELBU-50U(2.2kW)
Material	-
Manufacturer	MATSUSHIMA

名称 TITLE: DIMENSION DIAGRAM OF MOTOR

図面番号 DRAWING NO.: S31A0024

REV. No. 2

尺度 SCALE: not to scale
 単位 UNITS: mm

作成日付 DATE: Dec. 18, 2008
 製図 DRAWN: K. Nakamura

承認 APPROVED: H. Shigeeda
 確認 CHECKED: K. Nakamura

株式会社 松島機械研究所
 MATSUSHIMA MACHINERY LAB. CO., LTD.
 Kitakyushu, Japan