

# Small rotary damper



The small rotary dampers can be installed in a narrow space and facilitate slow-closing by controlling the speed when closing the covers.

### Benefits

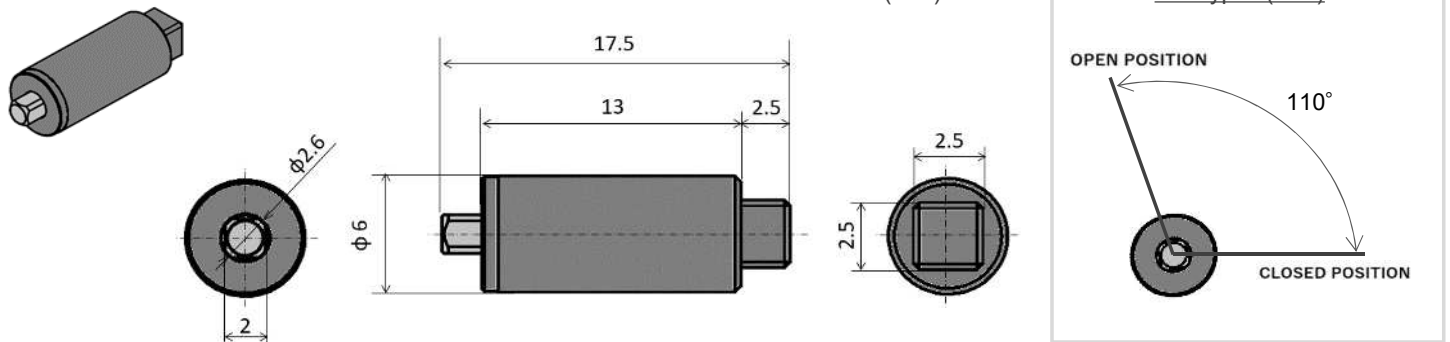
Despite the small size, this rotary damper is possible to generate 0.1Nm with two of them.

### Applications

- ✓ Mail slot
- ✓ Wiring box cover
- ✓ Candy display cases
- ✓ Plastic case

Part No.	Torque N · m (lbf · in)	Damping Direction	Part No.	Torque N · m (lbf · in)	Damping Direction
TD A1-0.5K	0.05 ( 0.44)	CW	TD B1-0.5K	0.05 ( 0.44)	CCW

### Dimensions



### Standard Components

Part name	Material
Housing	Plastic
Shaft	Zinc Alloy
Washer	Plastic

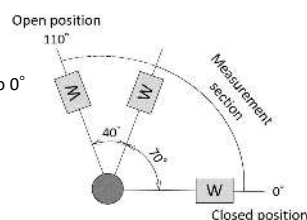
### Operation Temperature

Operation Temperature [°C] (°F)
0 ~ 40°C (32 ~ 104°F)

### Durability

Operation angle	110°
Durability	50,000 cycles

- ① Torque : 0.05N · m (0.44 lbf · in)
- ② Temperature : 23°C ± 2°C
- ③ Angle for measuring the closing time : 70° to 0°
- ④ Radial force : N/A



### Shape



The small rotary damper has 2 options for shape as follows:

- Normal
- Hinge