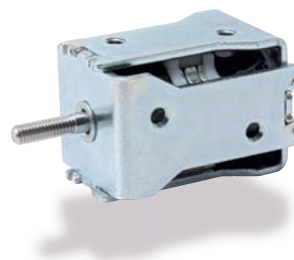


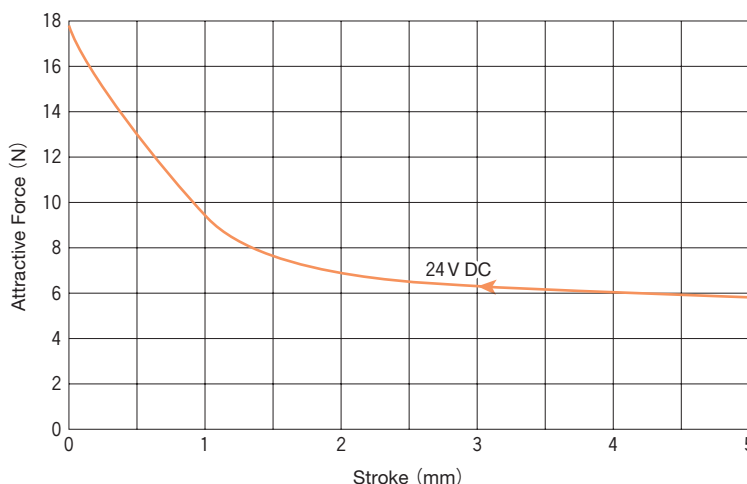
◆ Main Specifications

Working Voltage	24 (V DC)
DC Resistance	7.5 (Ω)
External Resistance	1 (Ω) < 7 (W) or more
Duty Cycle	4 (%) or less
Max ON Time	100 (ms)
Coil Saturation Temperature Rise $\Delta\theta_s$ (at 20°C)	$\Delta\theta_s \doteq 17 \times W$ (°C) $K \doteq 17$ (°C/watt)
Temperature Rise Time Constant τ	5 (minutes)
Heat-Resistant Class	Class E (120°C)
Insulation Resistance	500V DC MEGA, 100 MΩ or more
Dielectric Strength	1000V AC, 50/60 Hz, 1 minute
Mass	65 (g)
Non-Excited Holding Force	5 (N) or more
Response Speed *1	7 (ms)

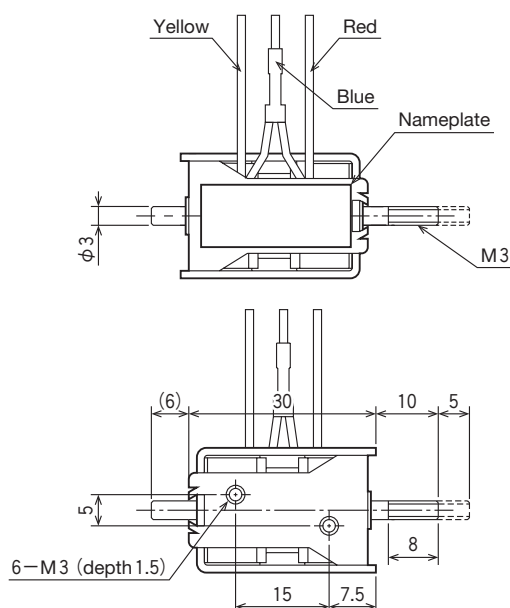


* 1: measurement conditions: measured by Takano Co. in a standard testing environment, with no load, shaft in a horizontal position, applied voltage 24V DC.

◆ Attractive Force Data



◆ External Dimensions (mm)



Terminal Specifications

Lead Wire Length (mm) : 210
AWG Size : 26

Regarding Your Order

Bi-stable Rotary Solenoids

Driver Board for Bi-stable Rotary Solenoids

Step Rotary Solenoids

Latching Solenoids

Compact 2-Way/3-Way Solenoid Valves for Chemical Liquids

Generic 2-Way/3-Way Solenoid Valves

Pinch Valves

Bi-stable Rotary Optical Shutters

Linear Optical Shutter

Electro-magnets