

◆ Main Specifications

Working Voltage	24 (V DC)
DC Resistance	20 (Ω)
Duty Cycle	20 (%) or less
Coil Saturation Temperature Rise $\Delta\theta_s$ (at 20°C)	$\Delta\theta_s \doteq 18 \times W$ (°C) $K \doteq 18$ (°C/watt)
Heat-Resistant Class	Class F (155°C)
Insulation Resistance	500 V DC MEGA, 100 M Ω or more
Dielectric Strength	600 V AC, 50/60 Hz, 1 second
Mass	60 (g)
Operating Angle	37.5 (°)
Non-Excited Holding Force	0.01 (N·m)
Starting Torque* ¹	0.002 (N·m)
Life Cycle/Durability* ²	10,000,000 (cycles)
Response Speed* ³	15 (ms) or less

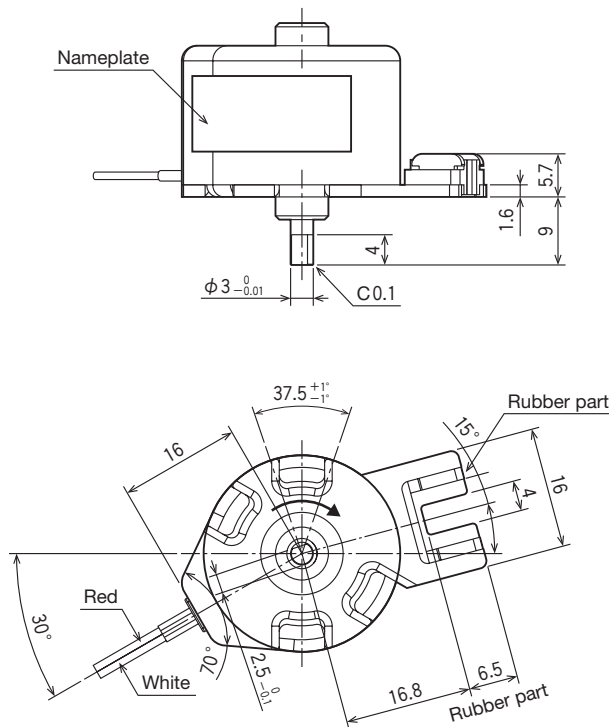
* 1 : when applied voltage = 24 V DC.

* 2 : durability conditions: measured by Takano Co. in a standard testing environment, with a load of inertia 4.2g·cm², shaft in a horizontal position, duty cycle 20 %, applied voltage 24 V DC, using a Takano driver.

* 3 : measurement conditions: measured by Takano Co. in a standard testing environment, with a load of inertia 4.2g·cm², shaft in a horizontal position, applied voltage 24 V DC.

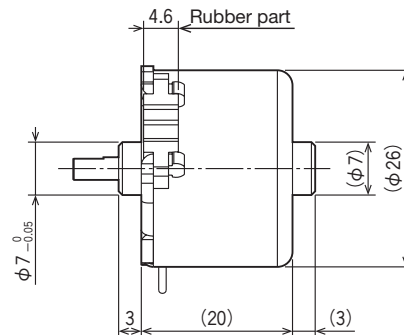


◆ External Dimensions (mm)



Terminal Specifications

Lead Wire Length (mm) : 300
 AWG Size : 26
 Thermal Fuse : Nominal Operating Temperature : 145°C



When a positive electrode (+) is connected to the Red lead wire, and a negative (-) electrode to the White lead wire, the shaft rotates clockwise (in the direction shown by the arrow).